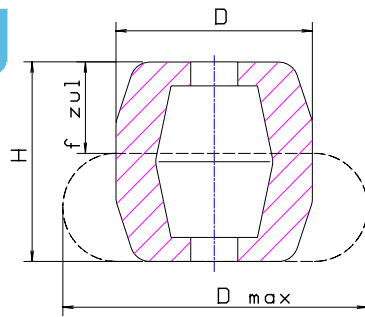


## Hohlfedern Reihe HIB

## Tonnenfedern

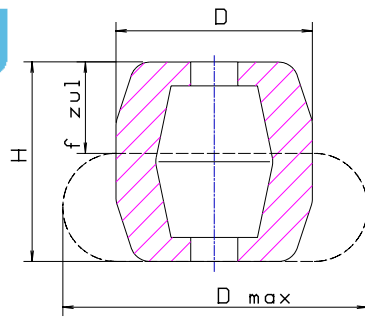
| Abmessungen |     | Belastung<br>daN | Einfederung<br>f zul.mm | Außen - Ø<br>bei f zul. | Artikelnummer | Kern | Härte | Befestigungsteil |
|-------------|-----|------------------|-------------------------|-------------------------|---------------|------|-------|------------------|
| H           | D   |                  |                         |                         |               |      |       |                  |
| 95          | 140 | 6800             | 48                      | 190                     | HIB 1847      | D    | 365   | HB 1847 D        |
| 95          | 140 | 4500             | 48                      | 189                     | HIB 1847      | D    | 360   | HB 1847 D        |
| 95          | 140 | 3300             | 48                      | 189                     | HIB 1847      | D    | 355   | HB 1847 D        |
| 95          | 140 | 2800             | 45                      | 185                     | HIB 1847      | E    | 170   |                  |
| 95          | 140 | 2000             | 45                      | 184                     | HIB 1847      | E    | 360   |                  |
| 95          | 140 | 1500             | 45                      | 184                     | HIB 1847      | E    | 355   |                  |
| 95          | 98  | 1500             | 54                      | 135                     | HIB 1801      | A    | 365   | HB 1801 A        |
| 95          | 98  | 1250             | 54                      | 135                     | HIB 1801      | A    | 360   | HB 1801 A        |
| 95          | 98  | 700              | 54                      | 135                     | HIB 1801      | A    | 350   | HB 1801 A        |
| 95          | 92  | 140              | 25                      | 110                     | HIB 2058      | A    | 360   | HB 2058 A        |
| 95          | 92  | 125              | 25                      | 110                     | HIB 2058      | A    | 355   | HB 2058 A        |
| 95          | 92  | 100              | 25                      | 110                     | HIB 2058      | A    | 350   | HB 2058 A        |
| 93          | 65  | 600              | 42                      | 93                      | HIB 1690      | C    | 365   | HB 1690 C        |
| 93          | 65  | 660              | 48                      | 97                      | HIB 1690      | C    | 360   | HB 1690 C        |
| 93          | 65  | 300              | 33                      | 87                      | HIB 1690      | C    | 355   | HB 1690 C        |
| 90          | 108 | 2000             | 44                      | 145                     | HIB 1680      | A    | 365   | HB 1680 A        |
| 90          | 108 | 1400             | 44                      | 143                     | HIB 1680      | A    | 360   | HB 1680 A        |
| 90          | 108 | 900              | 44                      | 145                     | HIB 1680      | A    | 355   | HB 1680 A        |
| 90          | 108 | 2300             | 51                      | 152                     | HIB 1680      | C    | 365   |                  |
| 90          | 108 | 2100             | 51                      | 150                     | HIB 1680      | C    | 360   |                  |
| 90          | 108 | 1400             | 51                      | 153                     | HIB 1680      | C    | 355   |                  |
| 90          | 108 | 2250             | 50                      | 146                     | HIB 1680      | D    | 365   | HB 1680 D        |
| 90          | 108 | 2600             | 54                      |                         | HIB 1680      | D    | 360   | HB 1680 D        |
| 90          | 108 | 2400             | 55                      | 153                     | HIB 1680      | D    | 355   | HB 1680 D        |
| 90          | 108 | 2500             | 50                      | 148                     | HIB 1680      | V    | 170   | HB 1680 V        |
| 90          | 108 | 1650             | 50                      | 149                     | HIB 1680      | V    | 360   | HB 1680 V        |
| 90          | 108 | 3000             | 55                      | 157                     | HIB 1680      | V    | 355   | HB 1680 V        |
| 90          | 95  | 500              | 48                      | 125                     | HIB 1805      | A    | 365   | HB 1805 A        |
| 90          | 95  | 450              | 48                      | 122                     | HIB 1805      | A    | 360   | HB 1805 A        |
| 90          | 95  | 350              | 48                      | 125                     | HIB 1805      | A    | 355   | HB 1805 A        |
| 90          | 95  | 800              | 51                      | 125                     | HIB 1805      | M    | 365   | HB 1805 M        |
| 90          | 95  | 400              | 51                      | 122                     | HIB 1805      | M    | 360   | HB 1805 M        |
| 90          | 95  | 250              | 51                      | 126                     | HIB 1805      | M    | 355   | HB 1805 M        |
| 70          | 85  | 400              | 33                      | 104                     | HIB 1803      | B    | 365   | HB 1803 B        |
| 70          | 85  | 350              | 33                      | 104                     | HIB 1803      | B    | 360   | HB 1803 B        |
| 70          | 85  | 280              | 33                      | 102                     | HIB 1803      | B    | 355   | HB 1803 B        |
| 70          | 85  | 1300             | 41                      | 113                     | HIB 1803      | G    | 365   | HB 1803 G        |



## Hohlfedern Reihe HIB

## Tonnenfedern

| Abmessungen |    | Belastung<br>daN | Einfederung<br>f zul.mm | Außen - Ø<br>bei f zul. | Artikelnummer | Kern | Härte | Befestigungsteil |
|-------------|----|------------------|-------------------------|-------------------------|---------------|------|-------|------------------|
| H           | D  |                  |                         |                         |               |      |       |                  |
| 70          | 85 | 1460             | 48                      | 126                     | HIB 1803      | G    | 350   | HB 1803 G        |
| 70          | 50 | 120              | 24                      | 65                      | HIB 1735      | A    | 360   | HB 1735 A        |
| 70          | 50 | 100              | 24                      | 64                      | HIB 1735      | A    | 355   | HB 1735 A        |
| 70          | 50 | 75               | 24                      | 66                      | HIB 1735      | A    | 350   | HB 1735 A        |
| 60          | 75 | 1560             | 32                      | 106                     | HIB 1809      | A    | 360   | HB 1809 A        |
| 60          | 75 | 850              | 30                      | 102                     | HIB 1809      | A    | 355   | HB 1809 A        |
| 60          | 75 | 620              | 28                      | 100                     | HIB 1809      | A    | 350   | HB 1809 A        |
| 55          | 68 | 113              | 15                      | 78                      | HIB 2046      | A    | 365   | HB 2046 A        |
| 55          | 68 | 98               | 15                      | 78                      | HIB 2046      | A    | 360   | HB 2046 A        |
| 55          | 68 | 76               | 15                      | 77                      | HIB 2046      | A    | 355   | HB 2046 A        |
| 55          | 55 | 360              | 30                      | 75                      | HIB 1679      | A    | 365   | HB 1679 A        |
| 55          | 55 | 280              | 30                      | 75                      | HIB 1679      | A    | 360   | HB 1679 A        |
| 55          | 55 | 140              | 20                      | 70                      | HIB 1679      | A    | 355   | HB 1679 A        |
| 55          | 55 | 275              | 33                      | 79                      | HIB 1679      | B    | 355   | HB 1679 B        |
| 55          | 55 | 200              | 32                      | 76                      | HIB 1679      | M    | 357   | HB 1679 M        |
| 55          | 55 | 180              | 30                      | 75                      | HIB 1679      | M    | 355   | HB 1679 M        |
| 55          | 55 | 165              | 30                      | 75                      | HIB 1679      | M    | 350   | HB 1679 M        |
| 55          | 40 | 30               | 6                       | 42                      | HIB 1843      | A    | 365   | HB 1843 A        |
| 55          | 40 | 27               | 6                       | 42                      | HIB 1843      | A    | 360   | HB 1843 A        |
| 55          | 40 | 23               | 6                       | 42                      | HIB 1843      | A    | 355   | HB 1843 A        |
| 55          | 40 | 76               | 28                      | 57                      | HIB 1843      | M    | 360   | HB 1843 M        |
| 55          | 40 | 60               | 25                      | 55                      | HIB 1843      | M    | 355   | HB 1843 M        |
| 55          | 40 | 50               | 25                      | 55                      | HIB 1843      | M    | 350   | HB 1843 M        |
| 50          | 50 | 360              | 24                      | 67                      | HIB 2009      | A    | 365   |                  |
| 50          | 50 | 300              | 24                      | 68                      | HIB 2009      | A    | 360   |                  |
| 50          | 50 | 200              | 24                      | 67                      | HIB 2009      | A    | 355   |                  |
| 45          | 40 | 450              | 25                      | 57                      | HIB 6118      | B    | 365   |                  |
| 45          | 40 | 300              | 25                      | 57                      | HIB 6118      | B    | 360   |                  |
| 45          | 40 | 175              | 25                      | 57                      | HIB 6118      | B    | 355   |                  |
| 45          | 33 | 35               | 7                       | 37                      | HIB 2066      | A    | 365   | HB 2066 A        |
| 45          | 33 | 30               | 7                       | 37                      | HIB 2066      | A    | 360   | HB 2066 A        |
| 45          | 33 | 25               | 7                       | 37                      | HIB 2066      | A    | 360   | HB 2066 A        |
| 30          | 25 | 43               | 6                       | 27                      | HIB 2189      | B    | 170   |                  |
| 30          | 25 | 30               | 6                       | 28                      | HIB 2189      | B    | 360   |                  |
| 30          | 25 | 25               | 6                       | 28                      | HIB 2189      | B    | 355   |                  |
| 25          | 34 | 40               | 8                       | 39                      | HIB 1842      | A    | 170   | HB 1842 A        |
| 25          | 34 | 42               | 10                      | 42                      | HIB 1842      | A    | 360   | HB 1842 A        |



## Hohlfedern Reihe HIB

## Tonnenfedern

| Abmessungen |    | Belastung<br>daN | Einfederung<br>f zul.mm | Außen - Ø<br>bei f zul. | Artikelnummer | Kern | Härte | Befestigungsteil |
|-------------|----|------------------|-------------------------|-------------------------|---------------|------|-------|------------------|
| H           | D  |                  |                         |                         |               |      |       |                  |
| 25          | 34 | 27               | 10                      | 42                      | HIB 1842      | A    | 350   | HB 1842 A        |
| 25          | 34 | 60               | 12                      | 41                      | HIB 1842      | M    | 365   | HB 1842 M        |
| 25          | 34 | 50               | 13                      | 43                      | HIB 1842      | M    | 357   | HB 1842 M        |
| 25          | 34 | 25               | 13                      | 40                      | HIB 1842      | M    | 350   | HB 1842 M        |
| 23          | 43 | 150              | 10                      | 50                      | HIB 1926      | A    | 365   | HB 1926 A        |
| 23          | 43 | 240              | 12                      | 53                      | HIB 1926      | A    | 360   | HB 1926 A        |
| 23          | 43 | 210              | 12                      | 53                      | HIB 1926      | A    | 355   | HB 1926 A        |
| 23          | 43 | 120              | 12                      | 55                      | HIB 1926      | B    | 365   | HB 1926 B        |
| 23          | 43 | 100              | 12                      | 55                      | HIB 1926      | B    | 360   | HB 1926 B        |
| 23          | 43 | 80               | 12                      | 55                      | HIB 1926      | B    | 355   | HB 1926 B        |
| 18          | 23 | 19               | 6                       | 27                      | HIB 1841      | A    | 365   | HB 1841 A        |
| 18          | 23 | 14               | 7                       | 28                      | HIB 1841      | A    | 360   | HB 1841 A        |
| 18          | 23 | 10               | 6                       | 28                      | HIB 1841      | A    | 350   | HB 1841 A        |
| 18          | 23 | 12               | 6                       | 27                      | HIB 1841      | B    | 365   | HB 1841 B        |
| 18          | 23 | 10               | 6                       | 27                      | HIB 1841      | B    | 360   | HB 1841 B        |
| 18          | 23 | 9                | 6                       | 27                      | HIB 1841      | B    | 350   | HB 1841 B        |
| 18          | 23 | 11               | 7                       | 28                      | HIB 1841      | M    | 365   | HB 1841 M        |
| 18          | 23 | 10               | 7                       | 28                      | HIB 1841      | M    | 360   | HB 1841 M        |
| 18          | 23 | 8                | 7                       | 28                      | HIB 1841      | M    | 355   | HB 1841 M        |